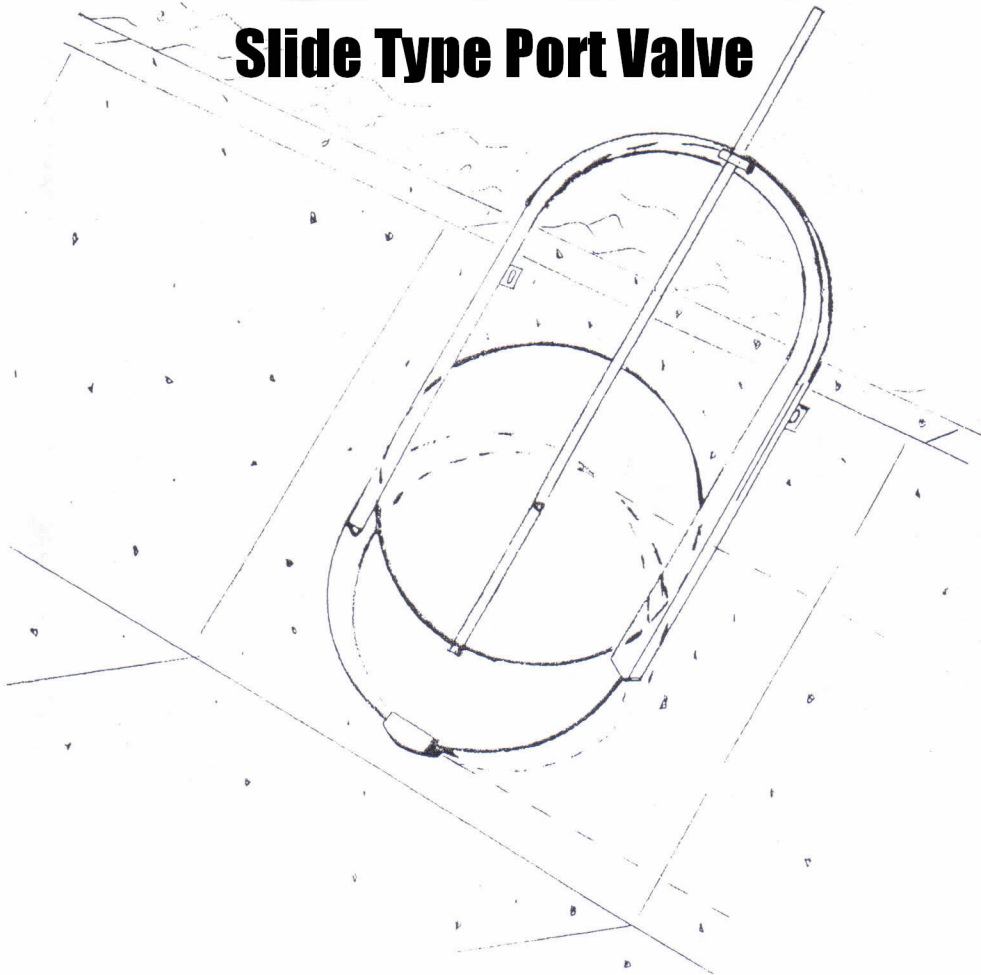




Irrigation & Waterworks

Slide Type Port Valve



RUGGED UNCOMPLICATED ACCURATE ADJUSTABLE

A rugged, uncomplicated valve for use in concrete lined ditches where an accurate, adjustable water flow is required.

EASILY-INSTALLED TROUBLE-FREE

Slide valves can be easily installed and are specially treated to provide years of trouble-free service.

WATER-TIGHT VERSATILE

The smooth galvanized lid and ground ring insure a water-tight closure; with special longer handles, they are ideal for deep ditch installations.

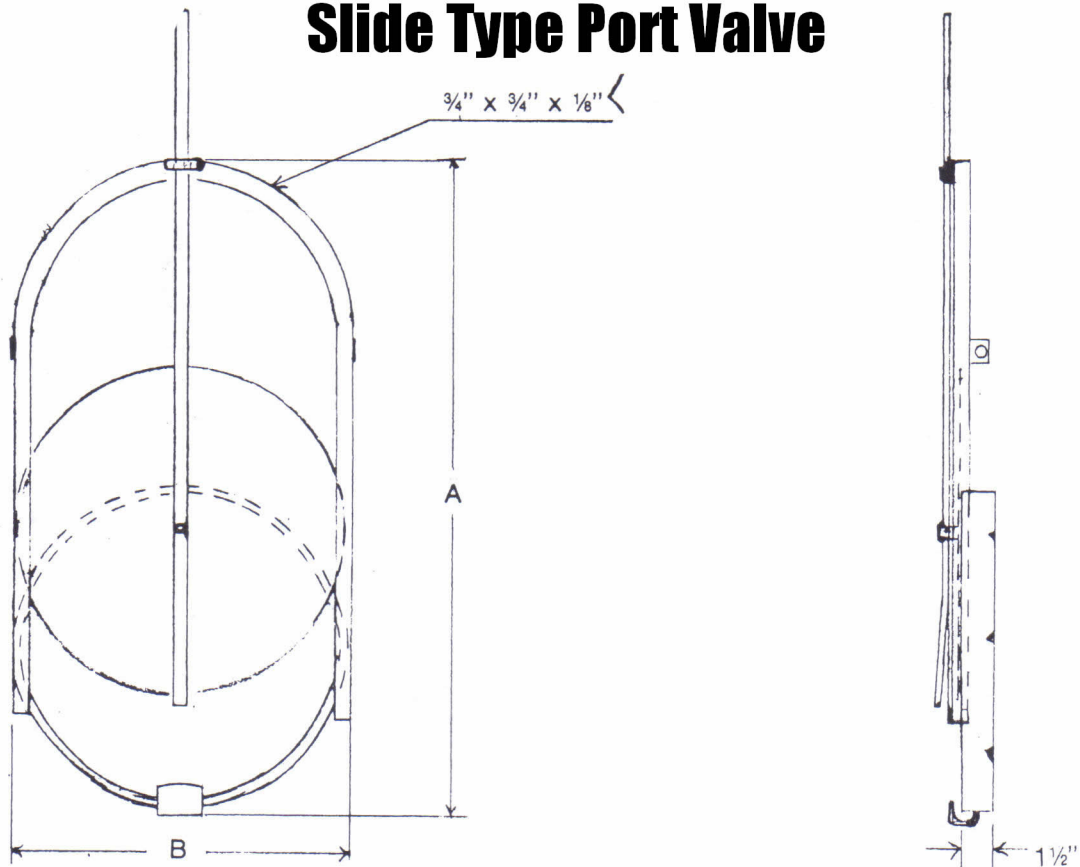
REMOVABLE

Both lid and handle are removable for safe storage when not in use



Irrigation & Waterworks

Slide Type Port Valve



VALVE SIZE	A	B	SLIDE	WEIGHT	FINISH
8"	9 $\frac{3}{4}$ "	18"	18 Ga. Galv.	6.4 lbs.	ZINC
12"	13 $\frac{1}{2}$ "	25 $\frac{1}{2}$ "	18 Ga. Galv.	8.5 lbs.	ZINC
14"	15 $\frac{1}{2}$ "	29 $\frac{1}{2}$ "	16 Ga. Galv.	10.5 lbs.	ZINC

LARGER SIZES AVAILABLE UPON REQUEST