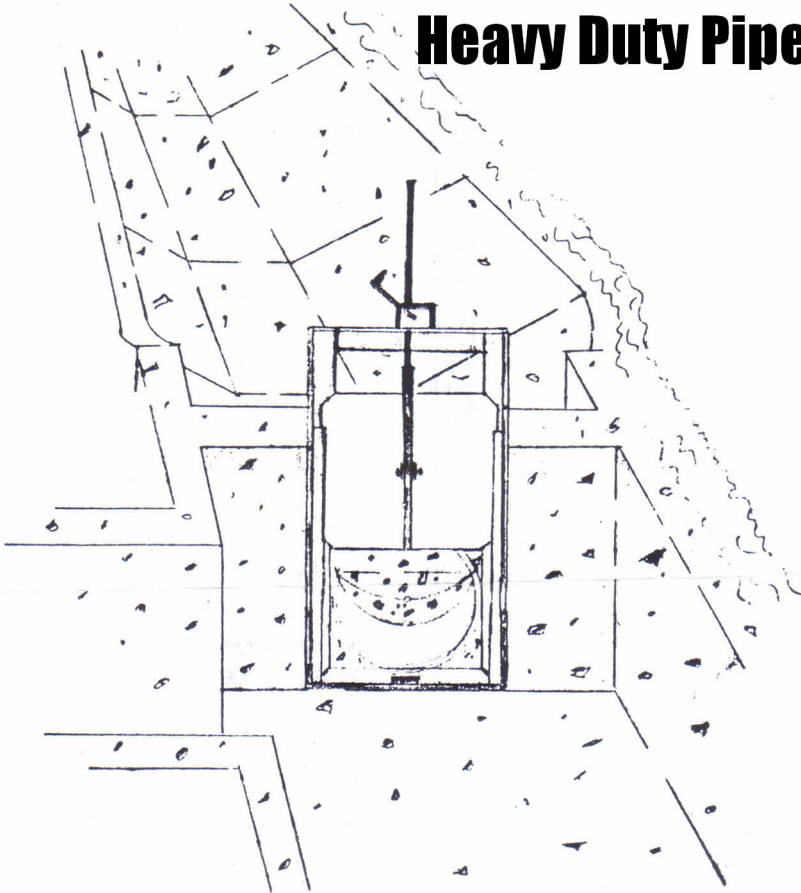


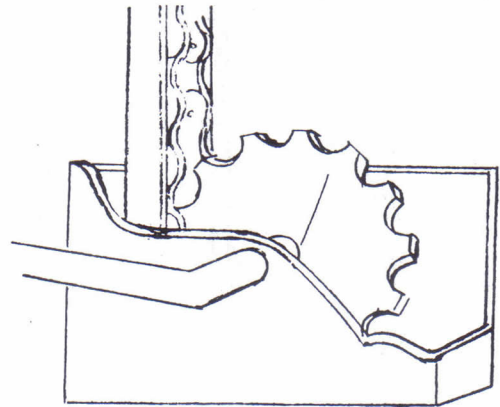


## Irrigation & Waterworks

### Heavy Duty Pipe Gate



GEAR DRIVE



(Also available with Handwheel)  
(See Reverse Side.)

#### TROUBLE-FREE

Heavyduty Pipegates are designed and built to provide years of trouble-free maintenance free, water control service.

#### RUST-RESISTANT VERSATILE

Built of heavy steel and specially treated to resist rust and corrosion, this gate can be installed in concrete, corrugated steel and most other types of pipe.

#### ONE-HANDED OPERATION

Equipped with the gear drive, this gate can easily be opened or closed in four (4) revolutions, using just one hand.

#### PRECISE CONTROL

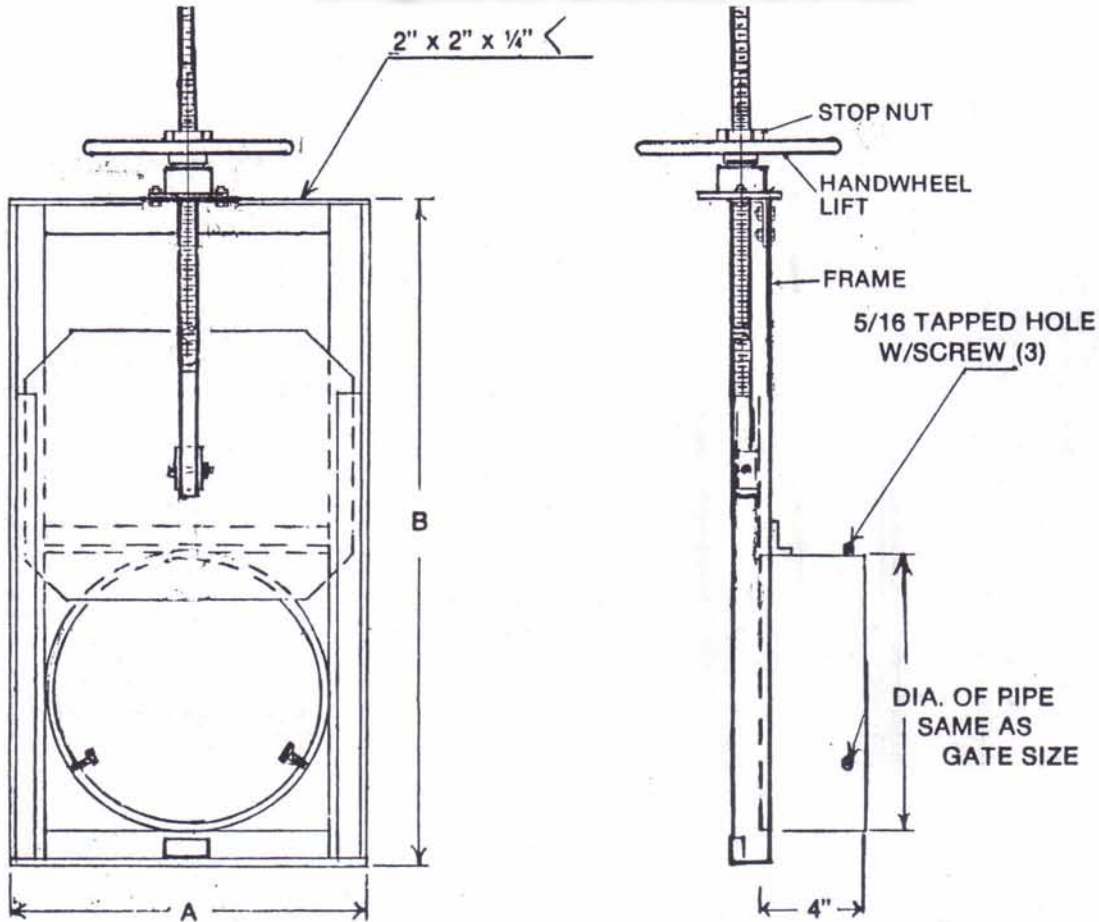
The gate can be held partially open by the simple twist lock, to allow precise water control.

#### LEAK-PROOF

Precision ground rings and smooth galvanized slide, assure a leak-proof closure.



## Irrigation & Waterworks



(Fullerform Screwlift Heavy Duty Pipegate conforms to MAG Specs 503-B)

GATE SIZE	A	B	SLIDE	WEIGHT
12"	14 $\frac{3}{4}$ "	32 $\frac{1}{2}$ "	10 Ga. Galv.	36 lbs.
14"	16 $\frac{3}{4}$ "	36 $\frac{1}{2}$ "	10 Ga. Galv.	44 lbs.
15"	17 $\frac{3}{4}$ "	38 $\frac{1}{2}$ "	10 Ga. Galv.	47 lbs.
16"	18 $\frac{3}{4}$ "	40 $\frac{1}{2}$ "	10 Ga. Galv.	51 lbs.
18"	20 $\frac{3}{4}$ "	44 $\frac{1}{2}$ "	10 Ga. Galv.	56 lbs.
20"	22 $\frac{3}{4}$ "	48 $\frac{1}{2}$ "	10 Ga. Galv.	62 lbs.
21"	23 $\frac{3}{4}$ "	50 $\frac{1}{2}$ "	10 Ga. Galv.	65 lbs.
24"	26 $\frac{3}{4}$ "	56 $\frac{1}{2}$ "	10 Ga. Galv.	76 lbs.
30"	32 $\frac{3}{4}$ "	68 $\frac{1}{2}$ "	10 Ga. Galv.	98 lbs.

SPECIAL SIZES AVAILABLE UPON REQUEST

CONCRETE IRRIGATION DITCH LINING EQUIPMENT  
IRRIGATION SUPPLIES

(Note: Heavy Duty Pipe Gate (above) is equal or excels in weight and quality and operational utility to the Swanson 800 Series Headgate. All Handwheels; Lift Nuts; Collars and Threaded Screws are the mfgd product of Fresno/Armco or Waterman, previously approved by A-DOT & others.)