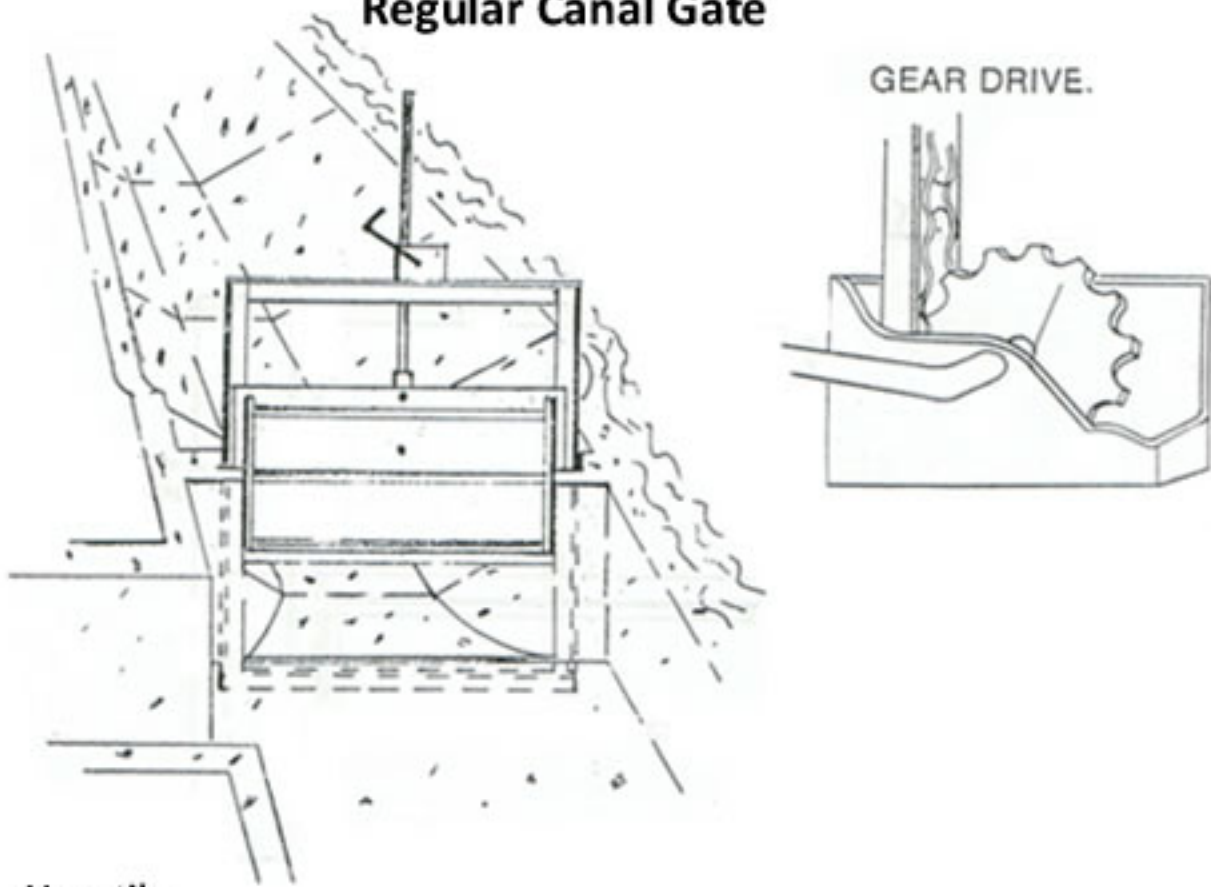




Irrigation & Waterworks

Regular Canal Gate



Versatile:

Here is a fast and easy flow control gate for use in diversion boxes, canals, laterals, and reservoirs.

Well Built:

Constructed of heavy gauge steel and specially treated to resist rust and corrosion, this gate will provide years of trouble free service.

Leak Proof:

The reinforced, galvanized slide is fitted into a Neoprene gasket in the frame to provide a leak proof seal.

One Handed Operation:

Equipped with a gear drive, the gate can be fully opened or closed with just one hand in only four revolutions.

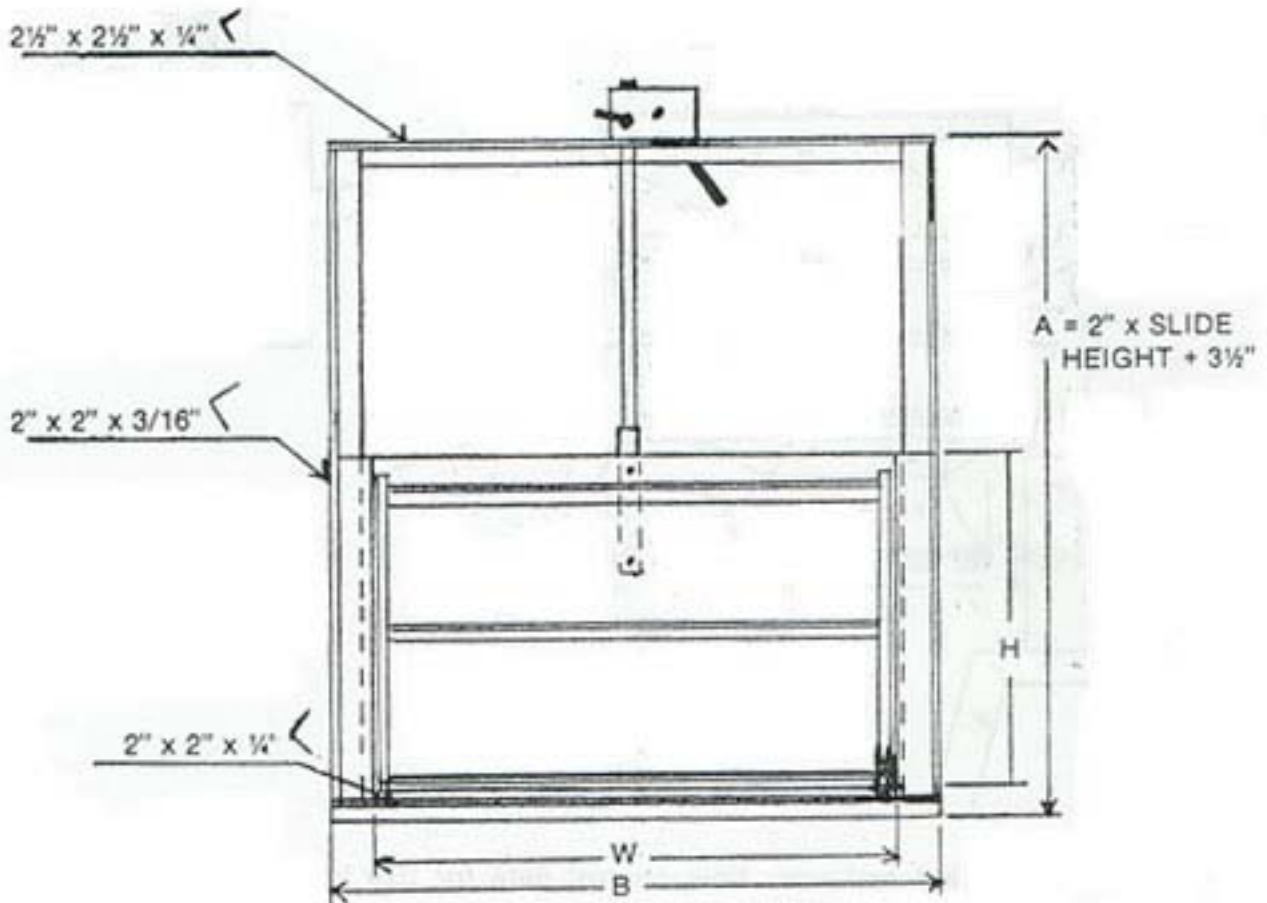
Precise Adjustment:

The slide can be held partially open by the simple Twist Lock to allow a precise water flow.



Irrigation & Waterworks

Regular Canal Gate



W	H	A	B	SLIDE	WEIGHT
24"	24"	51½"	28¾"	14 Ga. Galv.	69 lbs.
24"	30"	63½"	28 3/8"	14 Ga. Galv.	80 lbs.
36"	30"	63½"	40 3/8"	14 Ga. Galv.	110 lbs.
SPECIAL SIZES AVAILABLE UPON REQUEST					