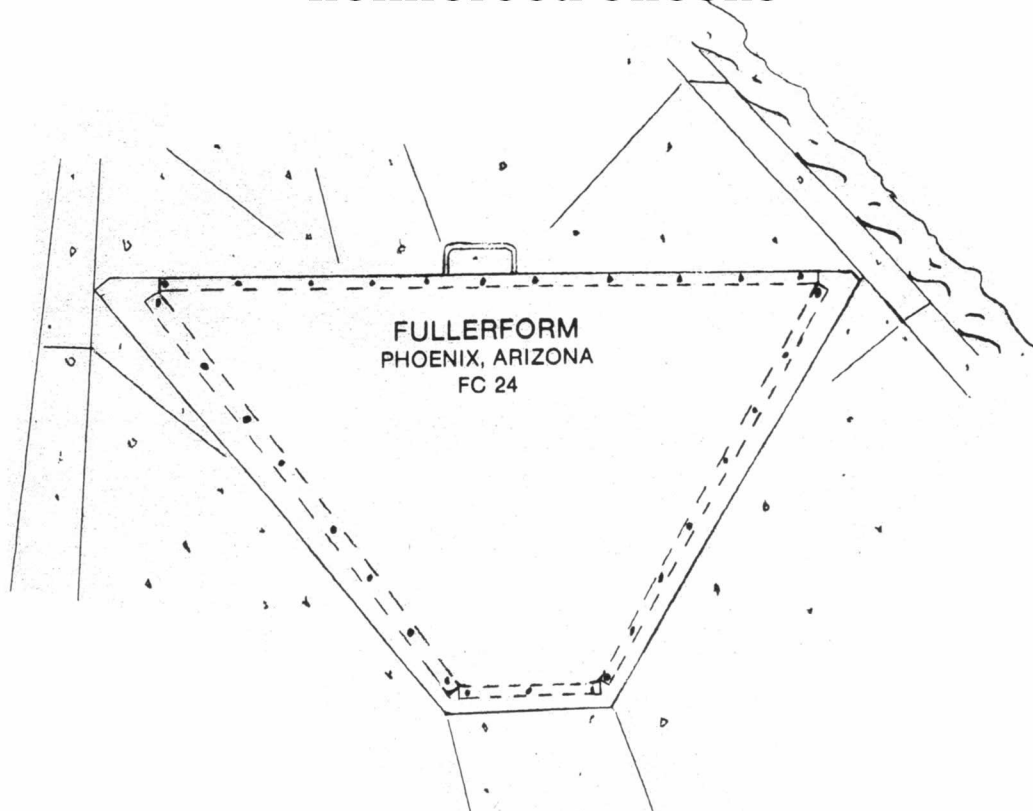




Irrigation & Waterworks

Reinforced Checks



STURDY FOR DEEPER DITCHES

Reinforced Checks are designed and built sturdy enough to withstand the greater strain of holding water in deeper ditches.

EASILY REMOVED

Though strong enough to hold up to a 36 inch head of water, they can be easily moved to wherever water flow must be controlled.

STABLE LOSS-PROOF

This check cannot slip or run away because of the angle when laid in the ditch. Water pressure holds it securely in place.

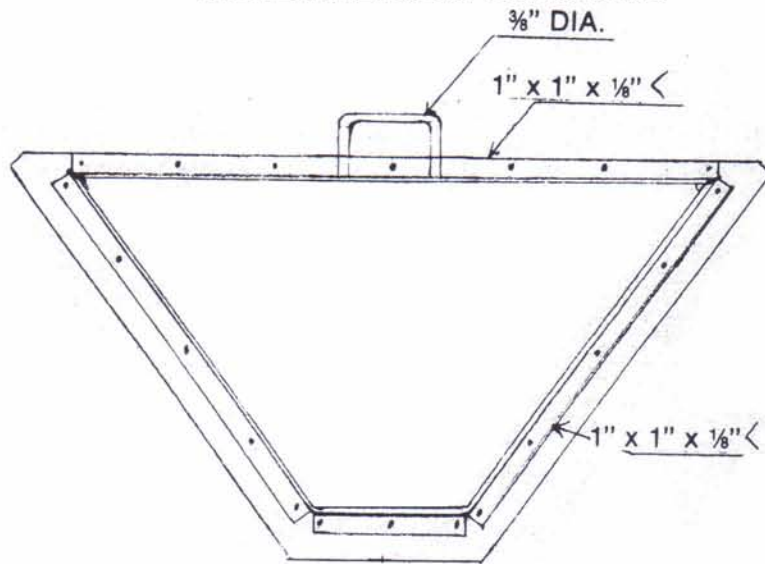
EXTRA SEAL

Reinforced Checks can also be ordered with rubber stripping to insure a more perfect seal against leakage.

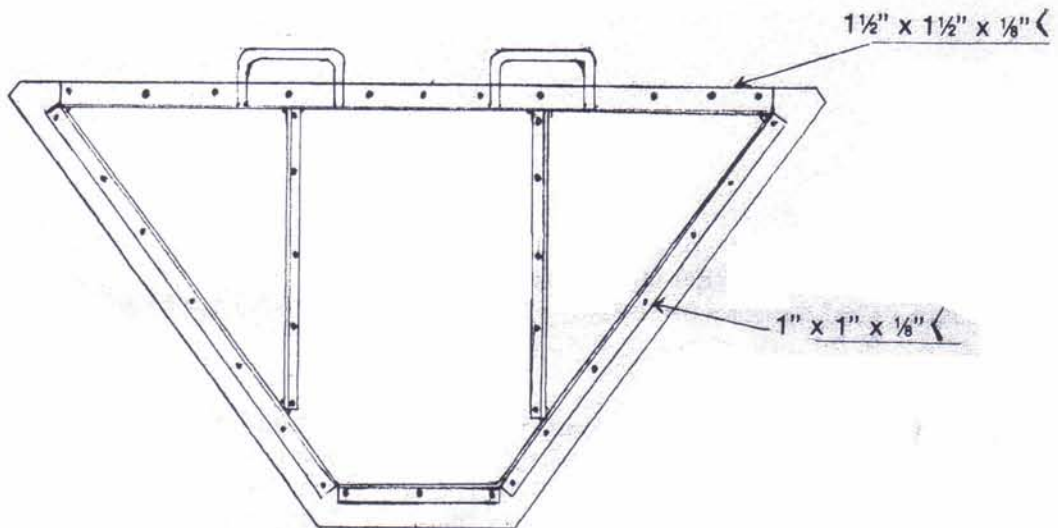


Irrigation & Waterworks

Reinforced Checks



FC-22 thru FC-26



FC-28 and FC-30